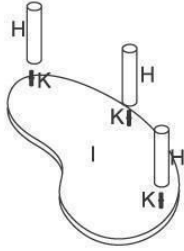
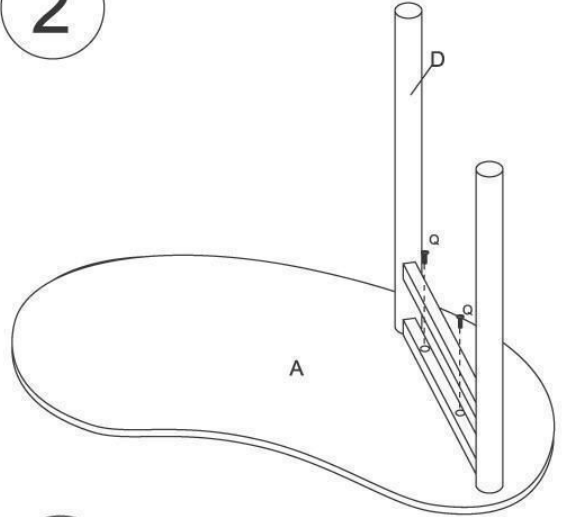


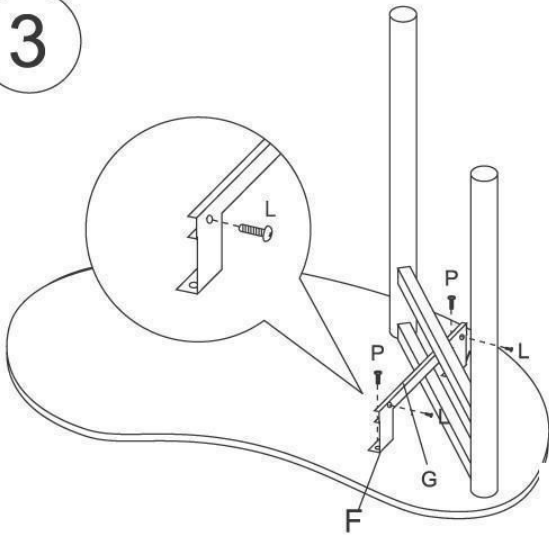
1



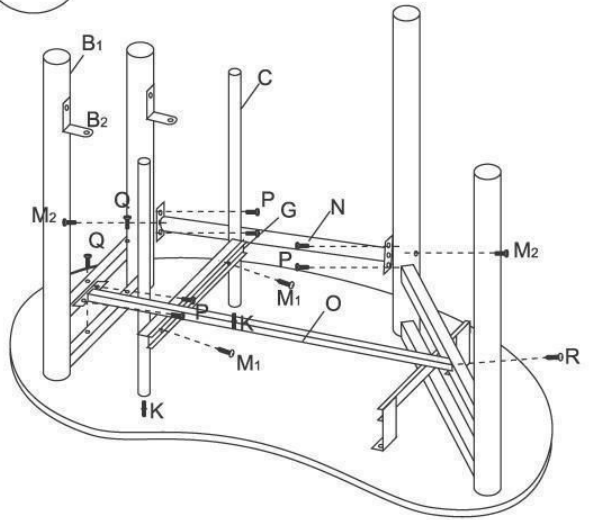
2



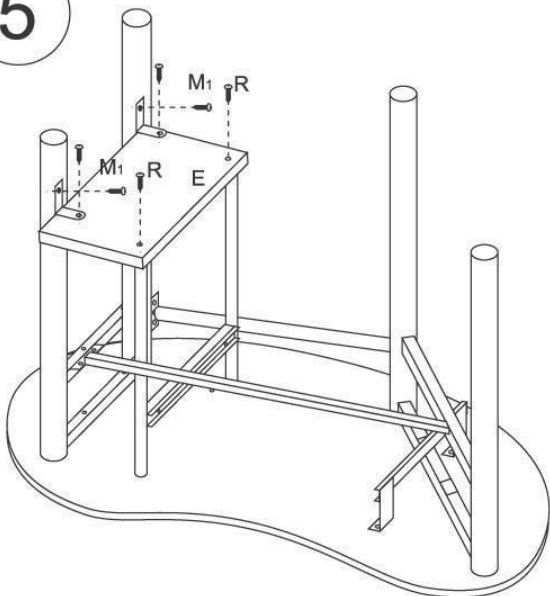
3



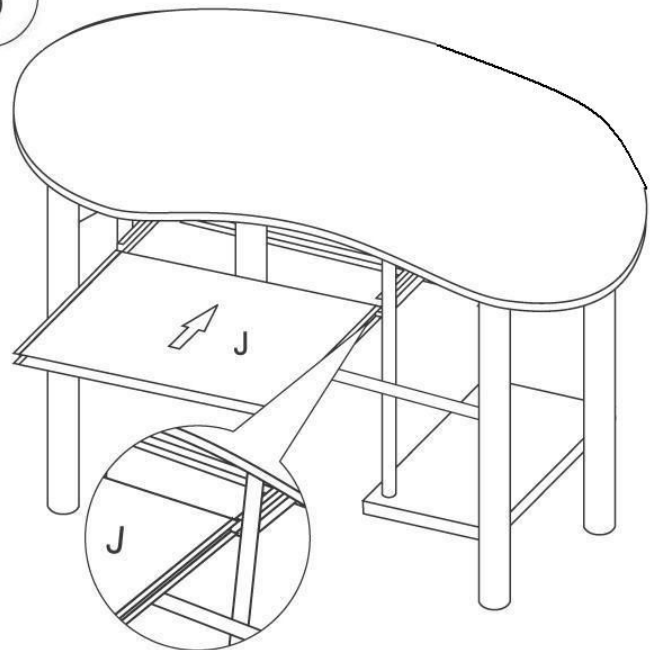
4

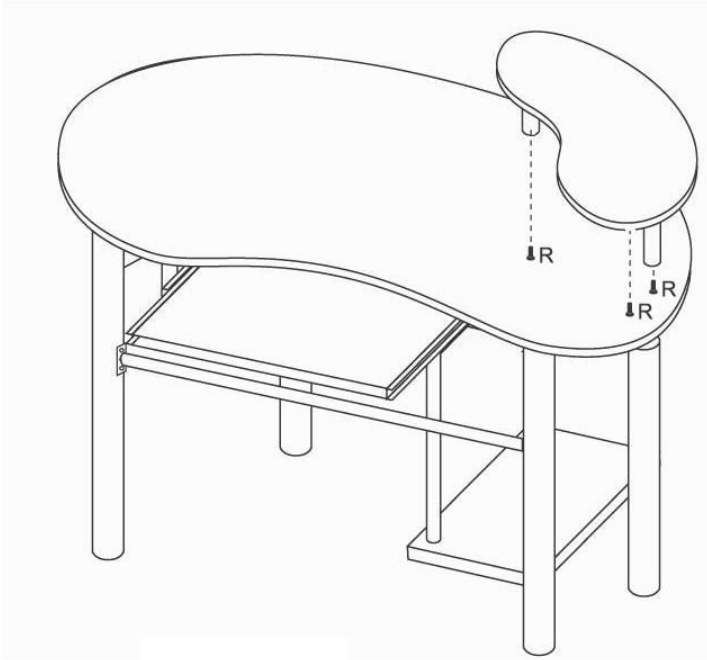


5



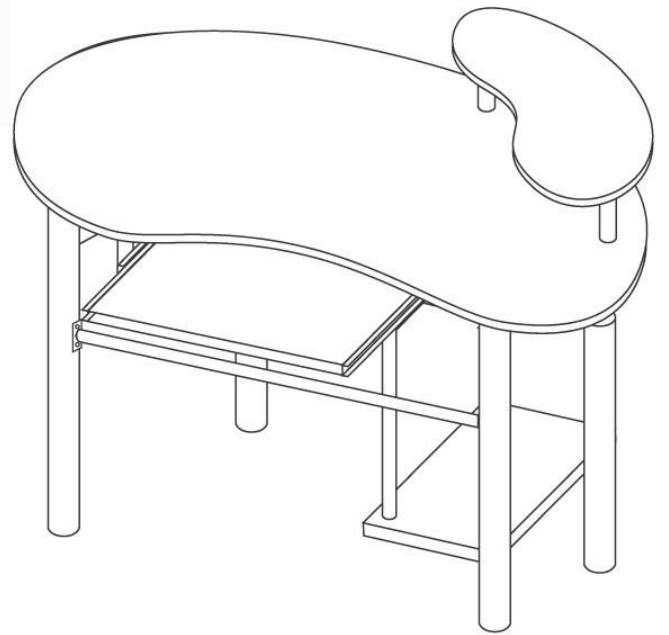
6


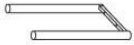
















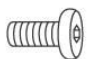
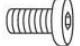






7

8



 Ax1PC	 B <sub>1</sub> x1PC  B <sub>2</sub> x2PCS	 Cx2PCS	 Dx1PC	 Ex1PC	 Fx1PC	 Gx2PCS	 Hx3PCS
 Ix1PC	 Jx1PC	 Kx5PCS	 M4x6mm Lx2PCS	 M4x15mm M <sub>1</sub> x6PCS	 M6x60mm M <sub>2</sub> x2PCS	 Nx1PC	 Ox1PC
 M6x12mm Px8PCS	 M8x35mm Qx4PCS	 M6x35mm Rx6PCS	 4mm Tx1PC	 6mm Ux1PC			