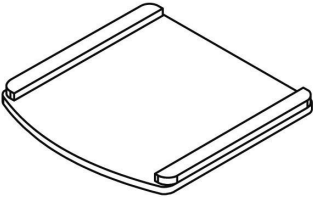
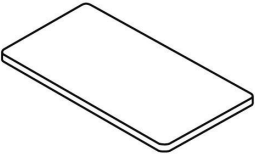
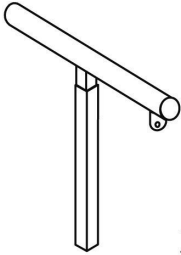
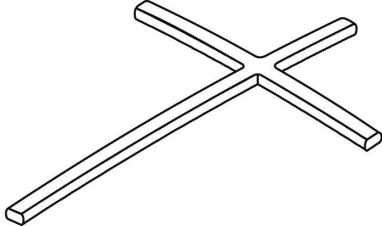

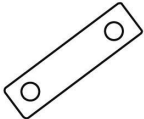

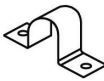





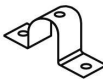




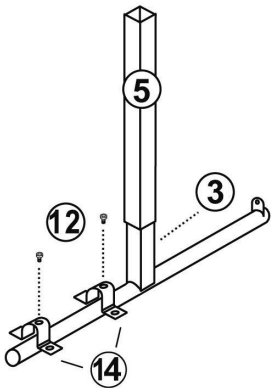
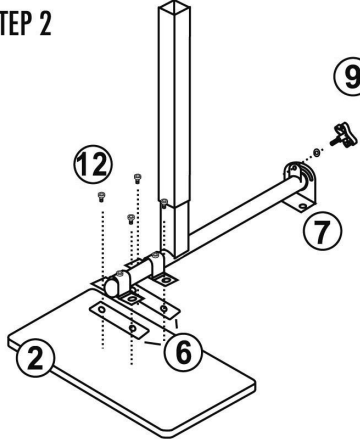
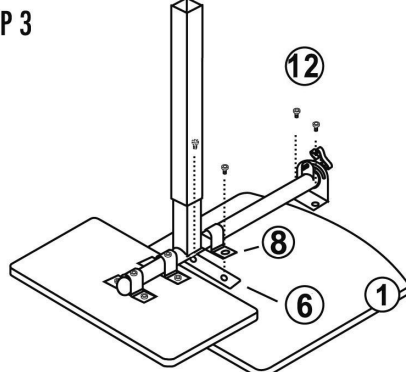
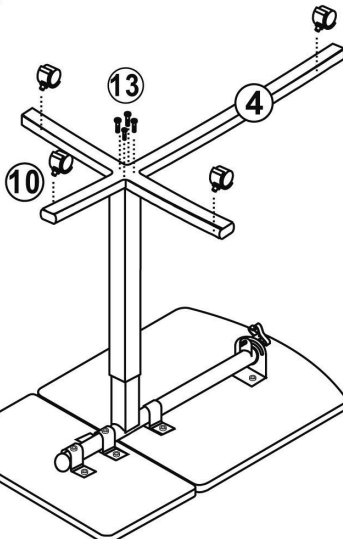
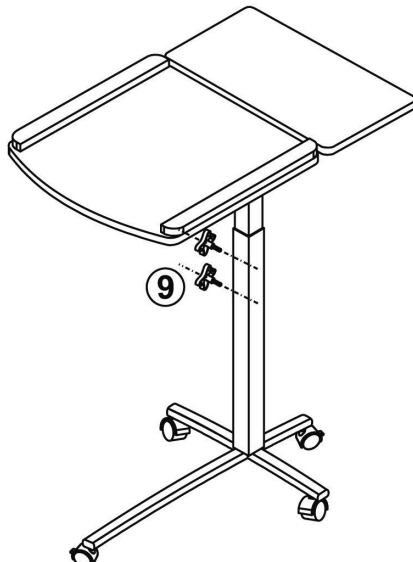
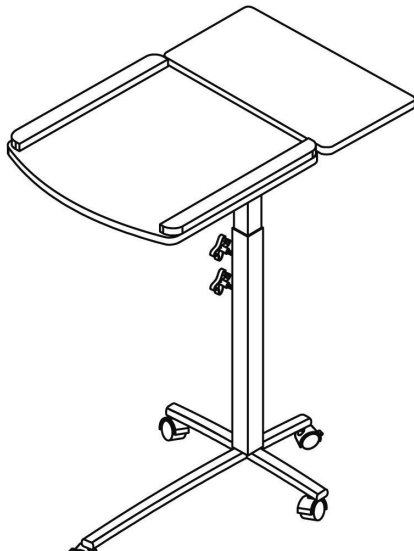
# Adjustable Laptop Desk Assembly Instruction

Included Parts Required for Assembly

Save 10% on your next HandStands.com order! Enter coupon code AP0507LD10FS at checko

|   |  |   |  |  |  |  |
|---|--|---|--|--|--|--|
| <p>①</p>  <p>X1</p>        | <p>②</p>  <p>X1</p>       | <p>③</p>  <p>X1</p> | <p>④</p>  <p>X1</p> |  |  |  |
| <p>⑤</p>  <p>X1</p>        | <p>⑥</p>  <p>X3</p>       | <p>⑦</p>  <p>X1</p>  | <p>⑧</p>  <p>X1</p>   | <p>⑨</p>  <p>M8 X3</p> | <p>⑩</p>  <p>X2</p> | <p>⑪</p>  <p>X2</p> |
| <p>⑫</p>  <p>M6x10 X10</p> | <p>⑬</p>  <p>M6X35 X4</p> | <p>⑭</p>  <p>X2</p> |  |  |  |  |

## Assembly Instructions

|   |  |  |
|---|--|--|
| <p>STEP 1</p>  | <p>STEP 2</p>   | <p>STEP 3</p>   |
| <p>STEP 4</p>  | <p>STEP 5</p>  | <p>FINAL STEP - Use knobs to adjust to desired height*</p>  |